

DCM24

ACTK27, ACTK30, ACTK36, AOCTK27, AOCTK30

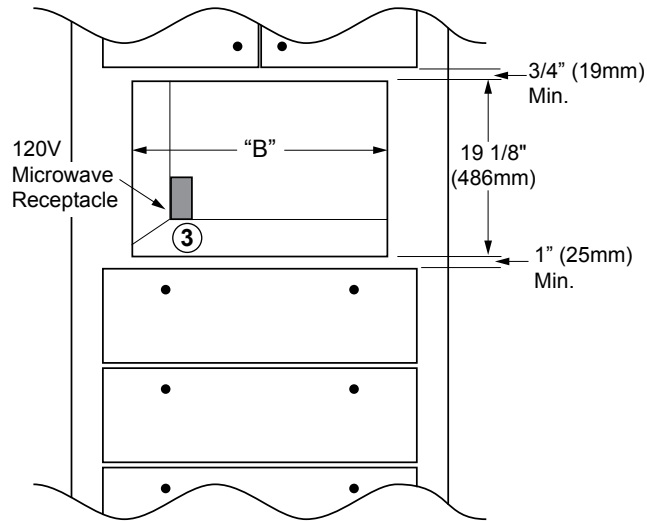
dacor
The Life of the Kitchen.®

111307

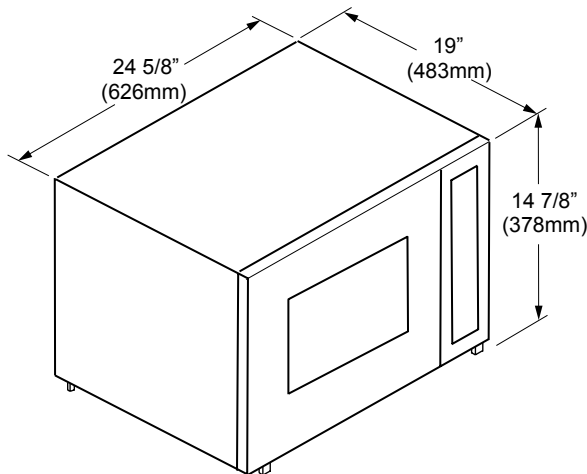
Convection Microwave Oven

1/1

**PLANNING
GUIDE**



MICROWAVE AND TRIM KIT

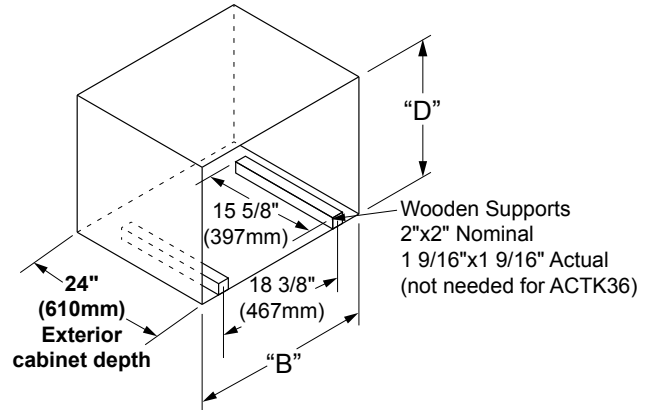


DCM24 OVERALL DIMENSIONS

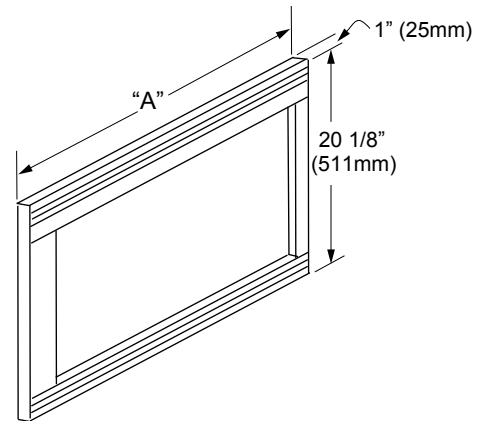


NOTE:

1. 24" (610mm) minimum exterior cabinet depth.
2. See the Combination Installation (CI) Section if installing with a wall oven, or warming oven.
3. 3/4" (19mm) support platform (flush with cutout).
4. Microwave is supplied with a 48" (1219mm) power cord, with a three prong grounded plug.

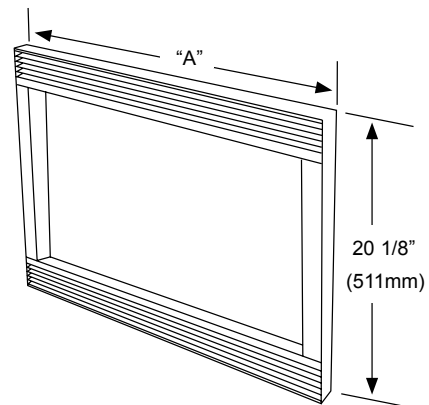


CUTOUT DIMENSIONS ISOMETRIC VIEW



ACTK OVERALL DIMENSIONS

(Epicure™ or Millennia™ Trim Kit - use these models when stacking with the Classic Wall Oven)



AOCTK OVERALL DIMENSIONS

(Epicure™ or Millennia™ Trim Kit - use these models when stacking with the Discovery Wall Oven)

Model No.	"A" Overall Width	"B" Cutout Width	"D" Cutout Height	Dedicated Circuit Required	Total Connected Load	Approximate Shipping Weight
DCM24	-	-	-	120VAC, 60Hz, 15A (Breaker)	1.6kW (13A)	60 lbs.
ACTK27	27" (686mm)	25 1/4" (641mm)	19 1/8" (486mm)			15 lbs.
ACTK30	30" (762mm)	28 1/4" (718mm)	19 1/8" (486mm)			16 lbs.
ACTK36	36" (914mm)	25" (635mm)	19 1/8" (486mm)			20 lbs.
AOCTK27	27" (686mm)	25 1/4" (641mm)	18 1/2" (470mm)			19 lbs.
AOCTK30	30" (672mm)	28 1/4" (718mm)	18 1/2" (470mm)			20 lbs.